

Demo Questions

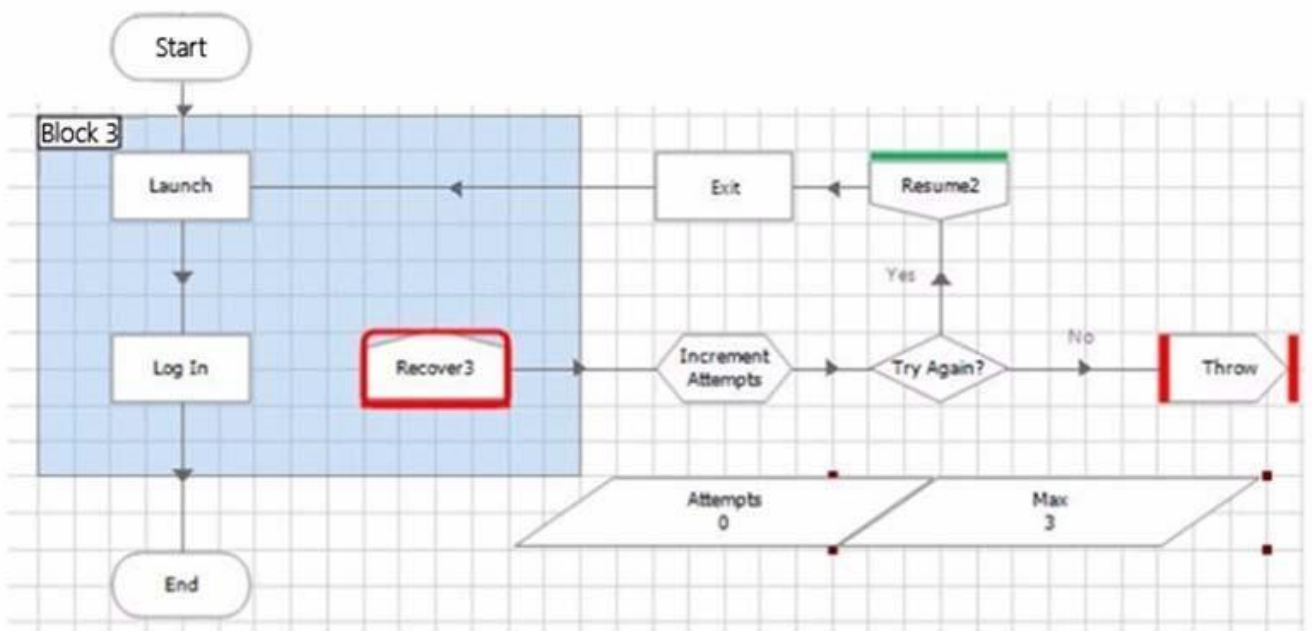
BLUE PRISM AD01 Exam

Blue Prism Developer

Thank you for downloading AD01 Exam PDF

Question #1 Topic 1

Examine the following process flow:



The Process is intended to attempt to perform the processing in the recover block, Block 3, a maximum of three times before throwing an exception.

Data Item "Attempts" is a number data item with an initial value of 0

Data Item "Max Attempts" is a number data item with an initial value of 3

The "Increment Attempts" calculation stage adds 1 to the attempts value and outputs a result to

the "Attempts" data item

To enable this to work correctly, what is the correct expressions for the "'Try Again' decision stage?

- A. [Attempts] < [Max]
- B. [Attempts] > [Max]
- C. [Attempts] = [Max]
- D. [Attempts] + 1

Correct Answer: A

Question #2Topic 1

The Saved Quantity Data Item is configured as a number with the initial value 0.

The Loop Orders stage is configured to loop through the Orders collection.

The Get Quantity stage is configured as follows:

The screenshot shows a 'Calculation Properties' dialog box. The 'Name' field is 'Get Quantity'. The 'Description' field is empty. The 'Expression' field contains the formula `[Saved Quantity] + [Orders.Quantity]`. At the bottom, there are four buttons: 'Validate', 'Evaluate Expression', 'Store Result In', and 'Saved Quantity' (which has a small icon next to it).

What will the data item Saved Quantity contain after the execution of the page?

- A. 4
- B. 5
- C. 10
- D. 19

Correct Answer: D

Question #3 Topic 1

How many Start Stages can a sub-page in a Process have?

- A. 0
- B. 1
- C. 2
- D. Any Number

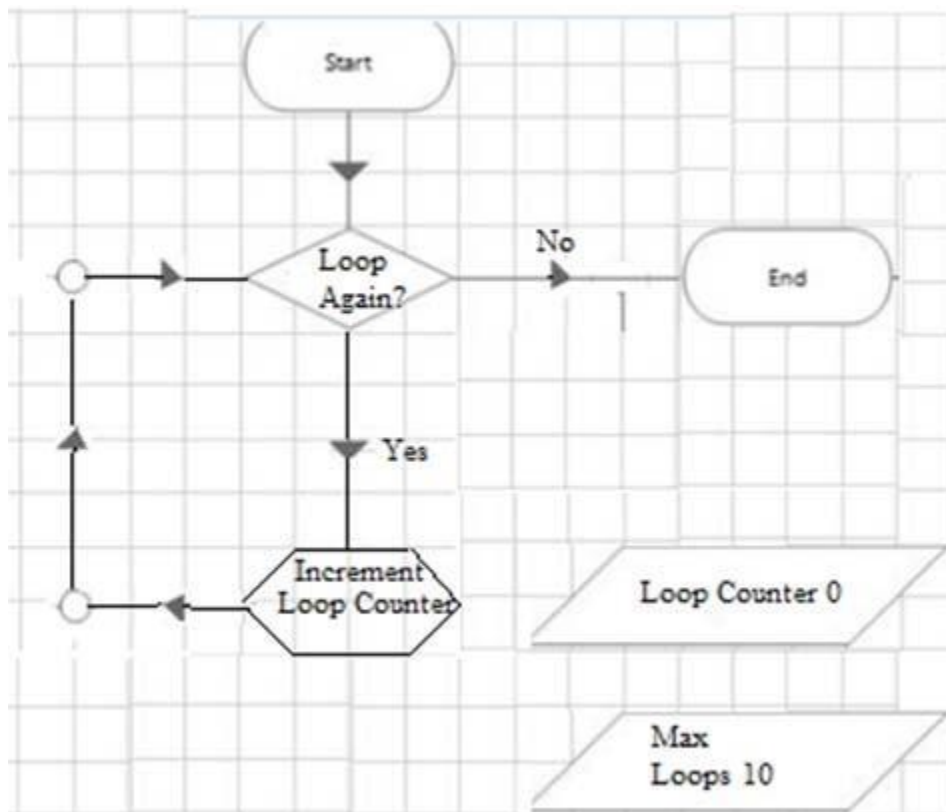
Correct Answer: B

Reference:

<https://www.rpatraining.co.in/blue-prism-interview-questions/>

Question #4 Topic 1

Study the following process flow:



The data item "Loop Counter" is a number data item and has an initial value of 0. The data item "Max Loops" is a number data item and has an initial value of 10.

The two stages are configured as follows:

Decision Properties

Name: Loop Again?

Description:

Expression

[Loop Counter] <= [Max Loops]

Validate Evaluate Expression

Calculation Properties

Name: Increment Loop Counter

Description:

Expression

[Loop Counter]

Validate Evaluate Expression Store Result In Loop Counter

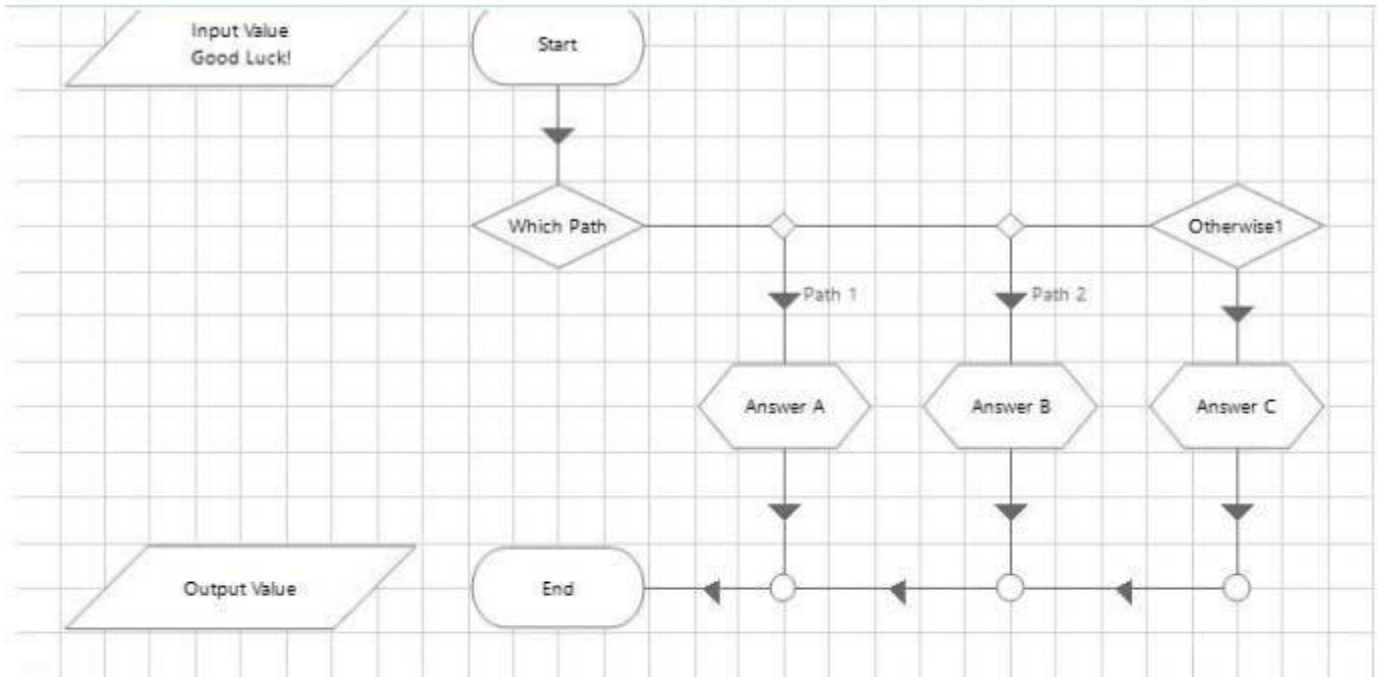
How many times will the Loop Again stage be executed when the page is executed?

- A. 10
- B. 9
- C. 11
- D. The loop will be infinite

Correct Answer: B

Question #5 Topic 1

Study the following page in a process:



Choice Properties

Name:

Description:

Choice Name	Choice Criterion
Path 1	StartsWith(Input Value,"G")
Path 2	Right([Input Value], 4) = 'Good'

The calculation stages contain the following:

Calculation Properties

Name: Answer A

Description:

Expression

A

Validate Evaluate Expression Store Result In Output Value

Calculation Properties

Name: Answer C

Description:

Expression

C

Validate Evaluate Expression Store Result In Output Value

What will be the outcome after the page has run?

- A. Data Item Output Value contains A
- B. Data Item Output Value contains B
- C. Data Item Output Value contains C
- D. An Internal Exception will be thrown

Correct Answer: D

implementingp.pdfanswer: C