

Demo Questions

HP HPE6-A47 Exam

Designing Aruba Solutions

Thank you for downloading **HPE6-A47** Exam PDF

Question #1 Topic 1

Which guidelines should an architect use to determine how many AirWave servers to recommend?

- A. One server should be deployed on every subnet with an infrastructure device.
- B. One server is recommended for the base features and one server each for add-on features such as Clarity.
- C. One server should be dedicated to the wired infrastructure and one server to the wireless infrastructure.
- D. One server should monitor and manage up to about 4,000 infrastructure devices.

Correct Answer: D

Question #2 Topic 1

An architect plans to purpose an Aruba wireless solution with several Mobility Controllers (MCs) and a Mobility Master (MM) architecture. Wireless users run Skype for Business, a Unified Communications (UC) solution. The architect plans to use the Aruba SDN capabilities to integrate with the UC solution.

What helps to support high availability specifically for the SDN services?

- A. a redundant master MC
- B. backup controllers defined on the APs

- C. a cluster deployment for MCs
- D. a redundant MM

Correct Answer: D

Question #3 Topic 1

Refer to the exhibits.

Exhibit 1 shows the logical plan, and Exhibit 2 shows the BOM created with IRIS. An architect plans to propose two 5406Rzl switches as a VSF fabric for a campus network core. Which issue with the plan should the architect correct?

Exhibit 1 -

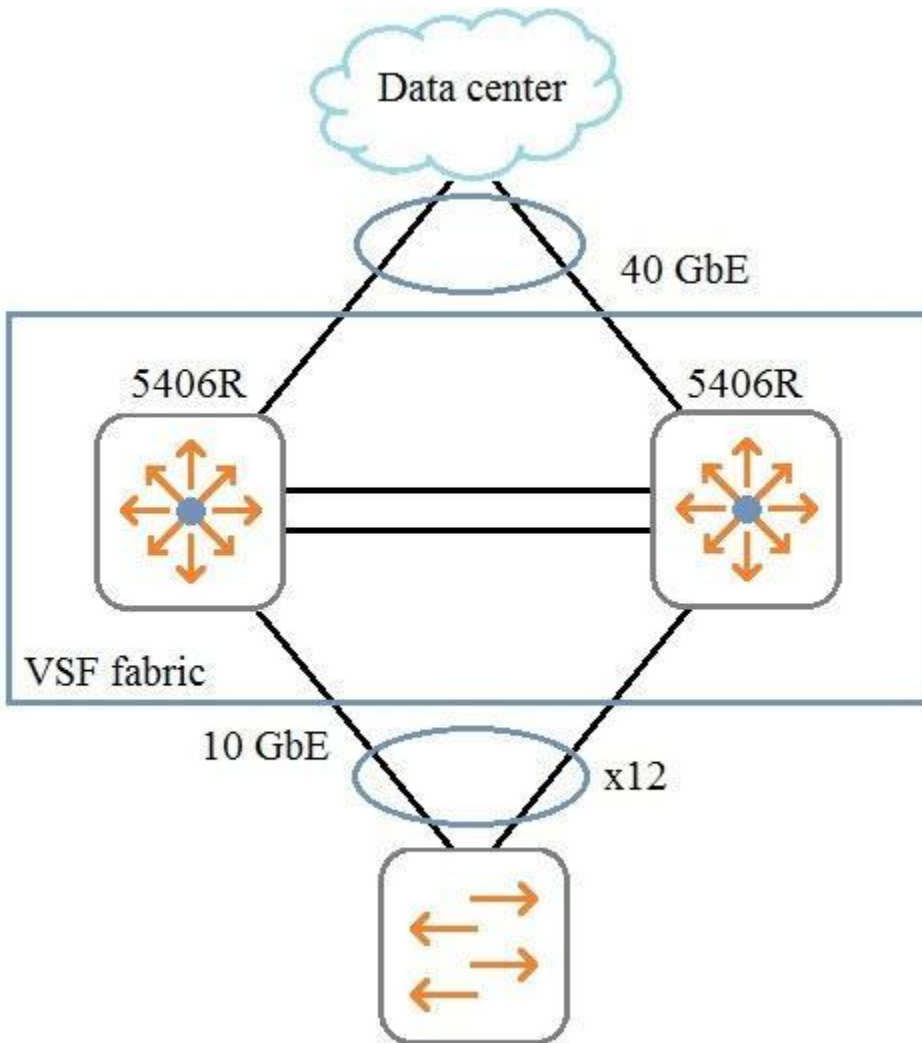


Exhibit 2 -

Line#	Part Number	Description	Manufacturer	Unit Price	Quantity	Total Price List
1.00	J9821A	Aruba 5406R z12 Switch	Hewlett Packard Enter...	\$2,419.00	2	\$4,838.00 USA Price List (USD)
1.01	H1MT0E	HPE 3Y FC 24x7 Aruba 5406R z12 Switc SVC [for J9821A]	Hewlett Packard Enter...	\$4,094.00	2	\$8,188.00 USA Price List (USD)
1.02	U4832E	HPE Networks 54xx/82xx z1 Startup SVC [for J9821A]	Hewlett Packard Enter...	\$2,325.00	2	\$4,650.00 USA Price List (USD)
1.03	J9828A	Aruba 5400R 700W PoE+ z12 PSU	Hewlett Packard Enter...	\$799.00	2	\$1,598.00 USA Price List (USD)
1.04	J9828A	ABA INCLUDED: Power Cord - U.S. localization	Hewlett Packard Enter...	incl.	2	
1.05	J9996A	Aruba 2p 40GbE QSFP+ v3 z12 Mod	Hewlett Packard Enter...	\$6,799.00	4	\$27,196.00 USA Price List (USD)
1.06	J9538A	HPE 8-port 10GbE SFP+ v2 z1 Module	Hewlett Packard Enter...	\$4,799.00	4	\$19,196.00 USA Price List (USD)
2.00	JH234A	HPE X242 40G QSFP+ to QSFP+ 1m DAC Cable	Hewlett Packard Enter...	\$419.00	2	\$838.00 USA Price List (USD)
Quote Total						\$66,504.00

- A. Add two QSFP+ MP0 SR4 transceivers.
- B. Change the v2 modules to v3 modules.
- C. Add stacking modules and cables.
- D. Change the power supply type.

Correct Answer: B

Question #4 Topic 1

An architect needs to plan the bandwidth for two Aruba 7240 Mobility Controllers (MCs) which will connect to the network core. The customer indicates that four 10 GbE links between the network core and the data center will be adequate. The customer expects almost all traffic in the network will be wireless. The customer expects up to 25 Gbps upstream traffic from wireless clients and up to 35 Gbps downstream to wireless clients. The customer requires the MCs to be able to continue to forward traffic if up to one link fails, but lower performance during the failover situation is permissible.

What are the minimal links to meet these requirements?

- A. two 10 GbE links on each of the MC
- B. two 40 GbE links on each of the MCs
- C. three 10 GbE links on each of the MCs
- D. four 10 GbE links on each of the MCs

Correct Answer: B

Question #5 Topic 1

An architect learns that a customer site is 14,307 square meters (154,000 square feet) and supports 900 employees using Wi-Fi 5 Ghz radio. What additional information should the architect collect to create the RF plan?

- A. number of devices used by each user
- B. the OS used on wireless devices
- C. whether BLE wayfinding is required
- D. software version on Mobility Controllers (MCs)

Correct Answer: A