

Demo Questions

Oracle 1Z0-151 Exam

Oracle Fusion Middleware 11g Build Applications with Oracle Forms

Thank you for downloading 1Z0-151 Exam PDF

Question #1 *Topic 1*

The Credit_Rating item in the Customers block of an Order Entry form must be restricted to three possible values: Good, Poor, or Null (the latter value indicates that the credit rating has not been determined). Order entry clerks must be able to update this item to any of the preceding three values.

You want to change the item to a check box labeled "Credit Risk" that should be selected if the customer has poor credit, the check box should not be selected if the customer's credit rating is good or undetermined.

| Label | Credit Risk |
|-----------------------------------|-------------|
| Access Key | |
| Implementation Class | |
| Value when Checked | Bad |
| Value when Unchecked | Good |
| Check Box Mapping of Other Values | Unchecked |
| Popup Menu | <Null> |
| Navigation | |
| Keyboard Navigable | Yes |
| Mouse Navigate | Yes |
| Previous Navigation Item | <Null> |
| Next Navigation Item | <Null> |
| Data | |
| Data Type | Char |
| Data Length Semantics | BYTE |
| Maximum Length | 4 |
| Initial Value | |

You change the item type to Checkbox, set other properties as shown in the Exhibit, and then run your form and insert three records: two with good credit and the check box deselected, and one with poor credit and the check box selected. You commit the data and query the records, with the following result set:

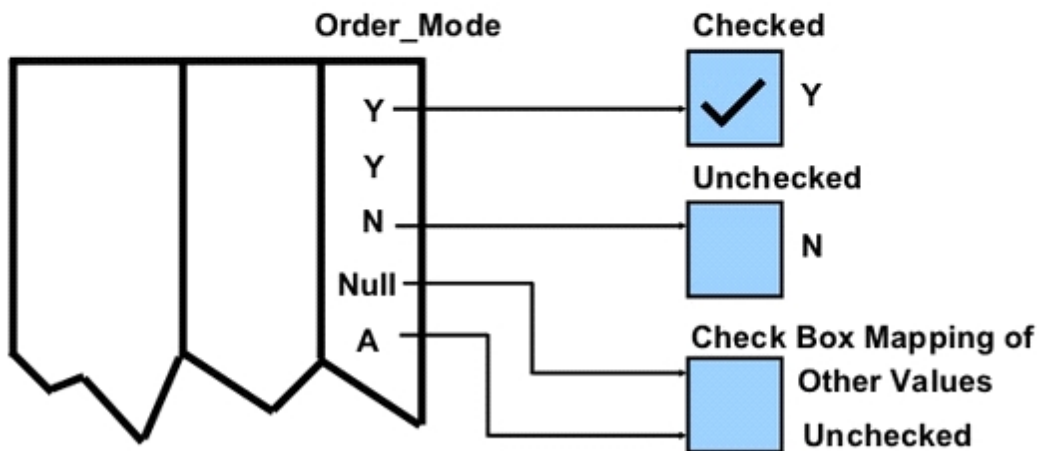
| CUST_ID | LAT_NAME | LAST_NAME | CREDIT_RATING |
|---------|----------|-----------|---------------|
| 10001 | Gamer | Pam | |
| 1002 | Wallace | Sheila | |
| 1003 | Maslen | Glenn | Poor |

The first two records show an undetermined credit rating, although your intention was to set the value to Good for these customers. What change must you make in the properties of the Credit_Rating item to enable values of Good, Poor, and Null to be entered?

- A. Change the initial Value property to Good.
- B. Change the Check Box Mapping of Other Values property to Not Allowed.
- C. Change the initial Value property to Good and the Value When Unchecked property to Null.
- D. Change the initial Value property to Good and the Check Box Mapping of Other Valued property to Null.
- E. Change the initial Value property to Good and the Check Box Mapping of Other Values property to checked.
- F. Change the item type. It is not appropriate to use a check box to enable entry and update of more than two values in an item.

Correct Answer: *F*

Check Box Mapping of Other Values



Incorrect answers:

F: A check box is not limited to two values.

Question #2Topic 1

When tabbing through items in the Employees form, users should not be able to navigate to the Salary text item. If they need to update the item, they will have to explicitly navigate to it by using the mouse.

Which property setting accomplishes this requirement?

- A. Enabled = Yes; Keyboard Navigable = No
- B. Enabled = No; Keyboard Navigable = Yes
- C. Enabled = Yes; Keyboard Navigable = Yes
- D. Enabled = No; Keyboard Navigable = No
- E. Automatic Skip = Yes

Correct Answer: *A*

Question #3Topic 1

You have a text item in your form named Object1. You want to create Object2 as an exact duplicate of Object1. You want to be able to change the properties of

Object2. However if you change Object1, you do not want Object2 to change.
Which method of reusing Object1 would be best for these requirements?

- A. Copying Object1
- B. Subclassing Object1
- C. Creating a property class from Object1
- D. Putting Object1 in an Object library
- E. Referencing Object1 in a PL/SQL library

Correct Answer: A

Question #4Topic 1

The Orders form has four blocks. The Orders and Order_items block are on the CV_Order content canvas; the inventories block items are on the CV_inventories content canvas; and Control block buttons are on the CV_Buttons toolbar canvas. All buttons have mouse Navigate set to No. The Order_Items block is a detail of Orders. The inventories block is a detail of Order_Items, showing the stock of the selected product.

There is a button in the Control block with a When-Button-Pressed trigger:

```
IF GET_CANVAS_PROPERTY(:SYSTEM.cursor_item, item_canvas) = 'CV_ORDER' THEN  
GO_BLOCK ('inventories')
```

ELSE -

```
GO_BLOCK('orders');
```

END IF;

When you run the form and click the button, navigation does not occur, and the form displays the runtime error "FRM-41053: Cannot find Canvas: invalid ID." What should you do to correct this problem?

- A. Change the sequence of blocks in the Object Navigator
- B. Chang the Mouse Navigator property of the button to yes
- C. in the first line of code, change the built-in to GET_ITEM_PROPERTY
- D. in the first line of code, change the system variable to: SYSTEM.CURSOR_CANVAS.
- E. in the first line of code, change the CV_ORDER to lowercase
- F. Chang the argument to the GO_BLOCK built-ins to uppercase

Correct Answer: C

Question #5Topic 1

Which four types of variables must have their names preceded by a colon when they are referenced in trigger code?

- A. PL/SQL variables
- B. Form items
- C. global variables
- D. system variables
- E. parameters

Correct Answer: *BCDE*

Question #6 Topic 1

The Order Entry application contains several forms. The inventories form uses an LOV that is based on a record group that queries the Warehouses table to return a warehouse ID.

Several of the forms use LOVs that are based on the same query. You decide to centralize the creation of the record group to the entry form of the application, which opens all the other forms, for example, to open the inventories form, there is a When-Button Pressed trigger on the inventories button with the following code;

```
OPEN_FORM ('inventories');
```

in a When-New-Form-instance trigger for the entry form, you create the warehouse_rg record group by using the CREATE_GROUP_QUERY built in with the following arguments:

```
('warehouse_rg' , 'SELECT ALL WAREHOUSE.WAREHOUSE_ID, WAREHOUSE.WAREHOUSE_NAME  
FORM WAREHOUSE order by warehouse_name');
```

You also populate the record group in this trigger.

What must you do to make this record group available to the inventories form and the other forms?

- A. in the When-New-Form-instance trigger for the entry form, add a values for the SCOPE argument of CREATE_GROUP_QUERY.
- B. in the entry form, move the record group code to the end of the When-Button-Pressed triggers for the buttons that open other forms, so that the record group is created and populated immediately after OPEN_FORM is called.
- C. in the entry form, move the record group code to the beginning of the When-Button-Pressed triggers for the button that open other forms, so that the record group is created and populated just before OPEN_FORM is called.
- D. in the When-Button_Pressed triggers of the entry from the buttons that open other forms, add a value for the SESSION argument of OPEN_FORM.
- E. in the other forms, refer to the record group as: global.warehouse_rg.

Correct Answer: A

Note: The CREATE_GROUP_FROM_QUERY built-in is a function and must be invoked as part of an expression. For example:

```
DECLARE -  
rg_id RecordGroup;
```

```
BEGIN -  
rg_id := CREATE_GROUP_FROM_QUERY ('employee_rg', 'SELECT id,first_name,last_name,sal FROM  
employee');  
END;
```